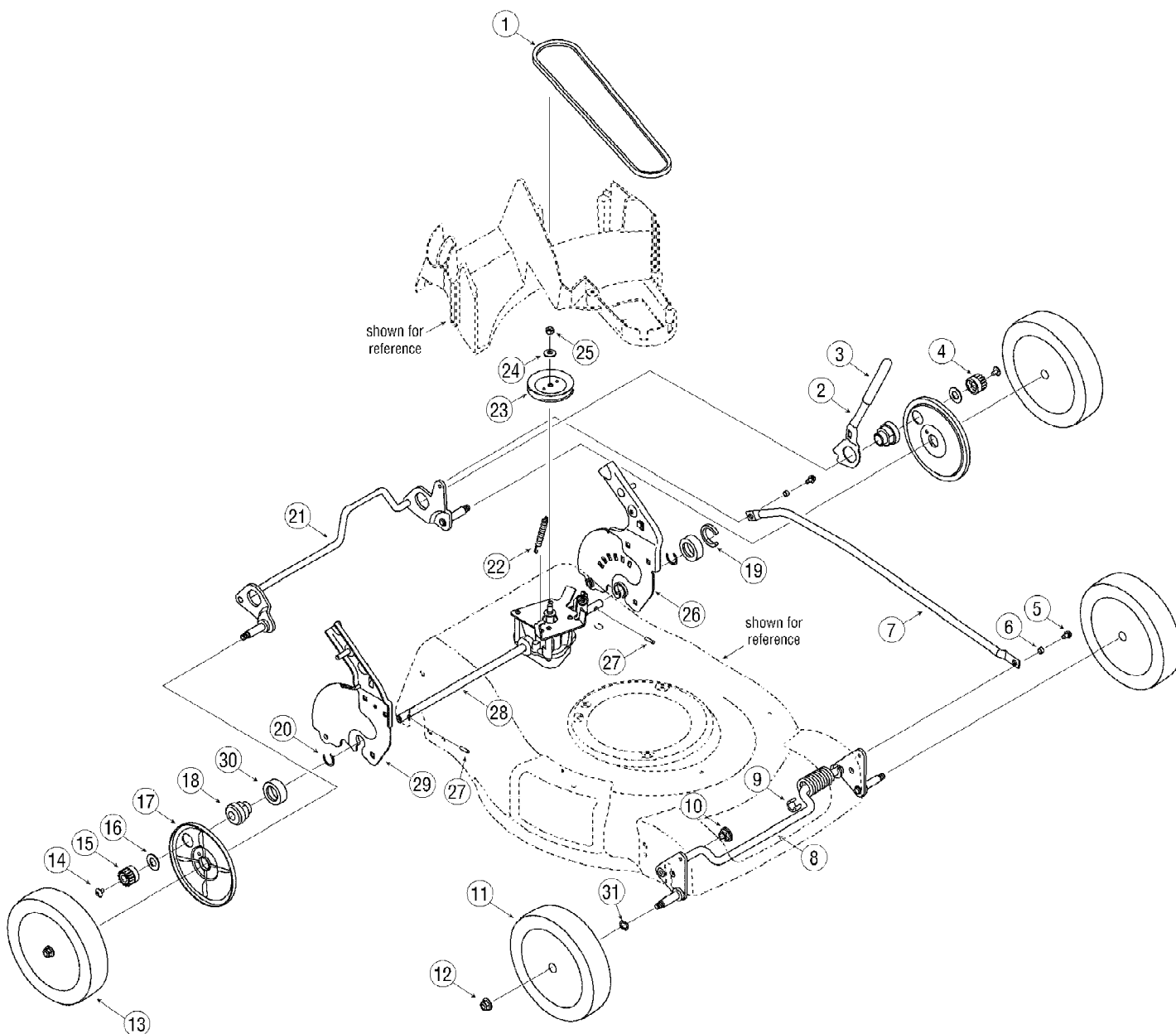


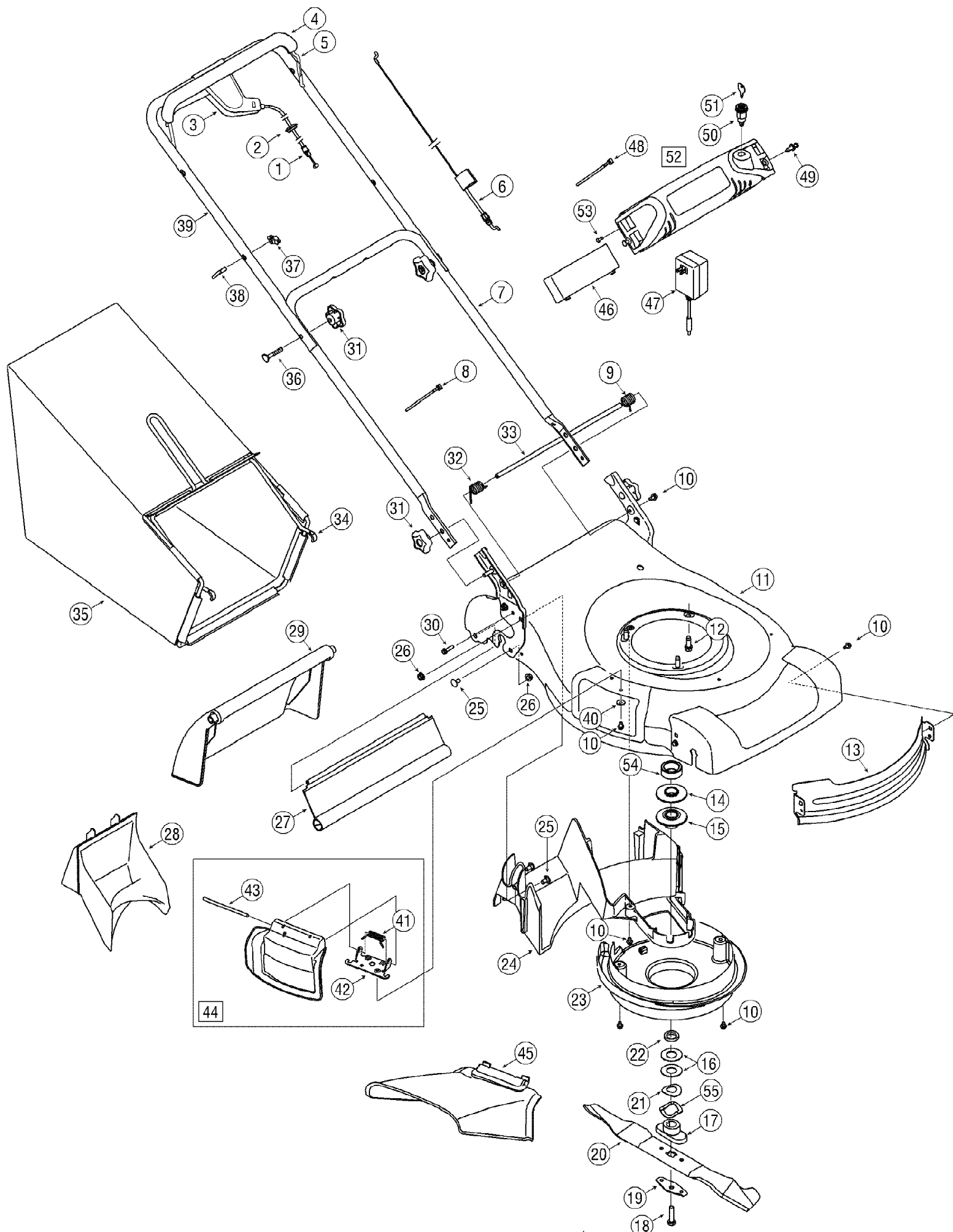
12AV839S290 (2007)
Drive & Tires



12AV839S290 (2007)
Drive & Tires

Page 2 of 7

Ref #	Part Number	Qty	S/P/F	Description
1	754-04093	1	S	V-Belt
2	732-04338	1		Spring Lever
3	720-0230	1		Foam Grip
4	717-04184A	1	S	Spur Gear, 14T - LH
5	710-0599	1	/P	TT Screw, 1/4-20 x 0.50
6	750-04305A	1	S	Spacer
7	749-04267A	1	S	Cross Bracket
8	687-02204	1		Front Bracket Assembly
9	731-05470	1		Clip Spacer
10	741-04136B	1	/P	Split Hex Flange Bearing
11	734-04033	1	/P	Front Wheel
12	712-04065	1	/P	Flange Lock Nut, 3/8-16
13	634-04207D	1	S	Rear Wheel
14	710-04531	1		Screw, 1/4-20 x .39
15	717-04192A	1	S	Spur Gear, 14T - RH
16	736-3084	1	/P	Flat Washer
17	782-7551A	1	/P	Wheel Dust Cover
18	748-04159	1	S	Transmission Bearing Support
19	750-04317	1		Clip Spacer
20	716-0198	1		Retaining Ring .875
21	687-02314	1	S	Rear Bracket Assembly
22	732-0320	1	S	Extension Spring
23	756-04237	1		Pulley, 3.36 OD Double D Hole
24	736-0105	1	/P	Bell Washer, .375 x .870 x .063
25	712-04063	1	/P	Hex Lock Nut, 5/16-16
26	687-02205	1		Handle Bracket Assembly LH use with 787-01341A Deck
26	687-02320	1	S	Handle Bracket Assembly LH use with 787-01591 Deck
27	715-0221	1	S	Dowel Pin
28	618-04492	1	S	Transmission Assembly
29	687-02206	1		Handle Bracket Assembly RH use with 787-01341A Deck
29	687-02321	1	S	Handle Bracket Assembly RH use with 787-01591 Deck
30	748-0390	1		Bearing Support Spacer
31	736-0504	1	S	Washer, Wave, .510 x .750 x .017



12AV839S290 (2007)
General Assembly

Page 4 of 7

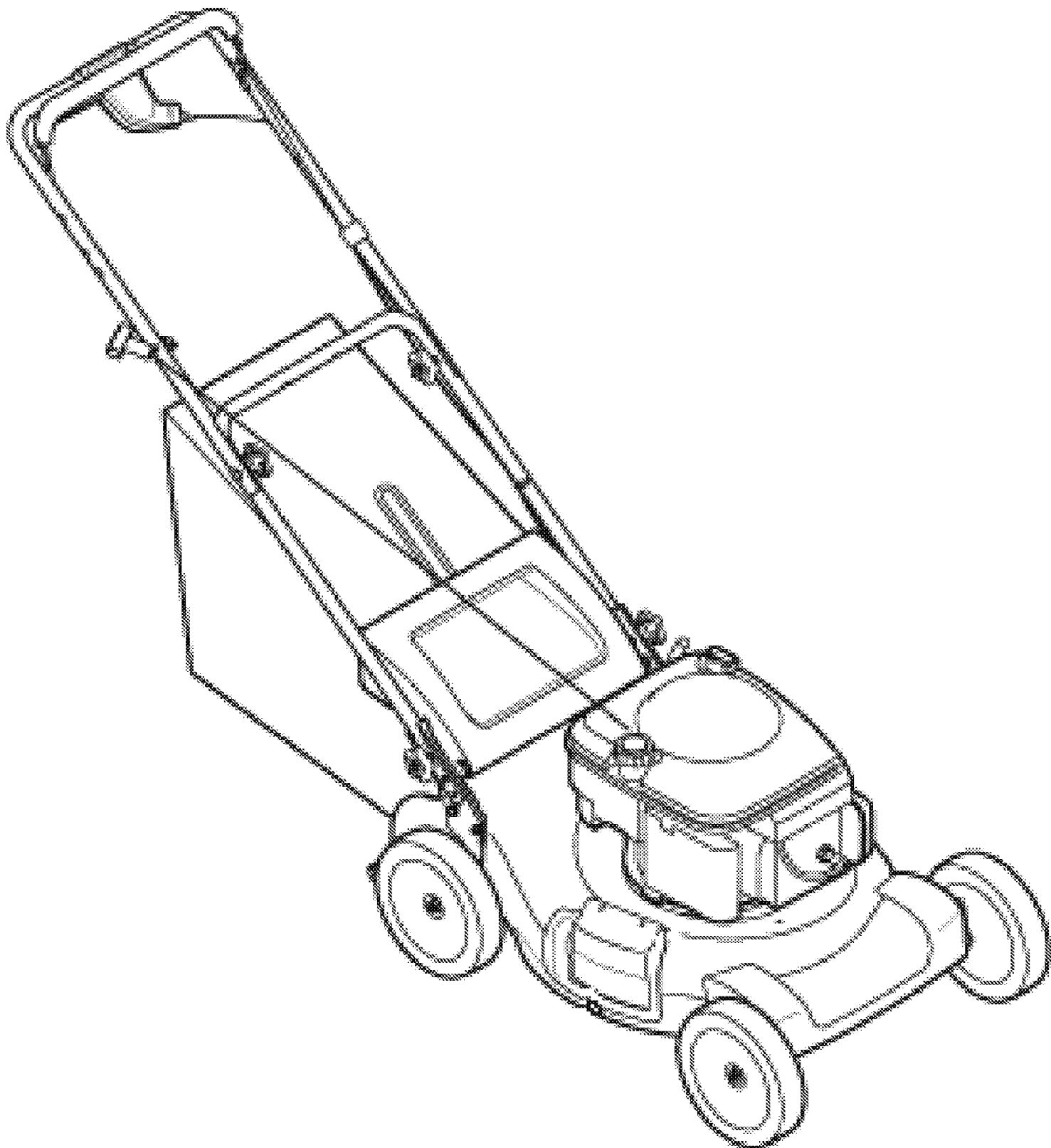
Ref #	Part Number	Qty	S/P/F	Description
1	746-04265A	1	S	Drive Cable
2	735-04059	1		Rubber Grommet
3	753-05096A	1	S	Drive Control Assembly
4	731-04859	1		Bail Cover If Equipped
5	747-1161A	1	S	Blade Control
6	746-04213	1	S	Control Cable
7	749-04037	1	/P	Lower Handle
8	725-0157	1	/P	Cable Tie
9	732-04265	1		Torsion Spring, LH
10	710-0896	1	/P	TT Screw, 1/4-20 x .62
11	787-01341A	1	S	21-inch Deck use with 710-0260A Carriage Bolt, 5/16-18 x .62; See note with LH/RH handle brackets
11	787-01591	1	/P	21-inch Deck use with 710-3025 Hex Cap Screw, 5/16-18 x .625 GR5; See note with LH/RH handle brackets
12	710-0654A	1	/P	TT Screw, 3/8-16 x 1.00
13	753-06213	1	S	Front Deck Baffle Replaces 787-01346
14	756-04157B	1	S	Upper Engine Pulley Equipped on Units with Briggs & Stratton Engine
14	756-04273	1		Upper Engine Pulley Equipped on Units with Honda Engine
15	756-04156B	1	S	Lower Engine Pulley Equipped on Units with Briggs & Stratton Engine
15	756-04272	1		Lower Engine Pulley Equipped on Units with Honda Engine
16	736-0514	1	S	Flat Wash., .885 x 1.850 x .060 Equipped on Units with Briggs & Stratton Engine
17	748-0376C	1	/P	Blade Adapter Equipped on Units with Briggs & Stratton Engine
17	748-04096	1		Blade Adapter Equipped on Units with Honda Engine
18	710-1044	1	/P	Screw, 3/8-24 x 1.50
19	736-0524B	1	/P	Blade Bell Support
20	742-0741	1	S	21" Mulching Blade
21	736-0513	1	S	Sprg Washer, .890 x 1.70 x .048 Equipped on Units with Briggs & Stratton Engine
22	750-1071	1	S	Sleeve Spacer, .88 x 1.13 x .12 Equipped on Units with Briggs & Stratton Engine
22	750-04818	1		Slv. Spcr., 25mm x 1.375 x .375 Equipped on Units with Honda Engine
23	731-05903	1		Engine Baffle
24	731-05463A	1	/P	Deck Baffle
25	710-0260A	6	/P	Carriage Bolt, 5/16-18 x .62 use with 787-01341A deck

12AV839S290 (2007)
General Assembly

Page 5 of 7

Ref #	Part Number	Qty	S/P/F	Description
25	710-3025	6	/P	Hex Cap Screw, 5/16-18 x .625 GR5 use with 787-01591 deck
26	712-04063	1	/P	Flange Lock Nut, 5/16-18
27	731-05462A	1	/P	Trailshield
27	710-1268	2	/P	Screw, Hex Washer Hd. Tapp #10-16 x .375 Not shown
28	731-05157	1		Mulch Plug
29	731-05017A	1	S	Rear Door
30	710-1241	1		Screw, 1/4-15 x 1.00
31	720-04072	1	S	Star Knob
32	732-04264	1		Torsion Spring, RH
33	711-04374	1		Door Pivot Rod
34	647-04051	1	S	Grass Catcher Frame
35	664-04052A	1	/P	Grass Catcher - Gray
35	664-04046A	1	S	Grass Catcher - Black
36	710-1174	1	/P	Carriage Bolt, 5/16-18 x 2.00
37	720-0279	1	/P	Wing Nut
38	710-1205	1	/P	Eye Bolt
39	749-04209	1		Upper Handle Equipped with Electric Start Units
39	749-04206	1		Upper Handle
40	736-0270	1	/P	Bell Washer, .265 x .75 x .062
41	732-1014	1		Torsion Spring
42	17032A	1	/P	Chute Deflector Adapter
43	747-0710	1	S	Hinge Pin
44	687-02055	1	S	Mulch Plug Assembly
45	731-04177	1	/P	Side Discharge Chute
46	725-04323	1	S	12 Volt Battery Equipped with Electric Start Units
47	725-04329	1		Battery Charger Equipped with Electric Start Units
48	726-0240	1	S	Cable Tie Equipped with Electric Start Units
49	728-0199	1		Rivet Equipped with Electric Start Units
50	725-04347	1	S	Key Switch Equipped with Electric Start Units
51	725-0201	1	S	Key Equipped with Electric Start Units
52	625-04029	1	S	Electric Starter Harness Ass'y. Equipped with Electric Start Units
53	710-1667A	1	/P	Screw, #10-16 x .750 Equipped with Electric Start Units
54	750-04825	1		Sleeve Spacer Equipped on Units with Honda Engine
55	736-0447	1	S	Washer, Wave, 1.5 x 1.0 x .029 Equipped on Units with Honda Engine

12AV839S290 (2007)
Quick Reference 839S



12AV839S290 (2007)
Quick Reference 839S

Page 7 of 7

Ref #	Part Number	Qty	S/P/F	Description
	759-3338	1	/P	Spark Plug 802592S
	BS-493537S	1	/P	Pre Filter
	BS-491588S	1	/P	Air Filter
	BS-298090S	1	/P	Fuel Filter
	746-04213	1	S	Cable Control (Brake)
	746-04265A	1	S	Drive Cable
	754-04093	1	S	Drive Belt
	742-0741	1	S	Blade
	710-1044	1	/P	Blade Bolt
	748-0376C	1	/P	Blade Adapter
	736-0524B	1	/P	Bell Blade Support
	734-04033	1	/P	Wheels (Front)
	634-04207D	1	S	Wheels (Rear)
	N/A	1		Hub Cap
	731-05462	1	S	Trail Shield
	731-04177	1	/P	Side Discharge Chute
	664-04052A	1	/P	Grass Bag
	687-02055	1	S	Mulch Plug Assembly (Attachment)